

## FIBERGLASS OMNIDIRECTIONAL ANTENNAS

### VHF Models

FG1443	144-148 MHz	3dBd Gain	107"
FG1483	148-152 MHz	3dBd Gain	107"
FG1520	152-156 MHz	Unity Gain	68"
FG1523	152-156 MHz	3dBd Gain	107"
FG1560	156-162 MHz	Unity Gain	68"
FG1563	156-162 MHz	3dBd Gain	107"
FG1683	168-174 MHz	3dBd Gain	107"

### UHF Models

FG4500	450-470 MHz	Unity Gain	26"
FG4503	450-470 MHz	3dBd Gain	44"
FG4505	450-470 MHz	5dBd Gain	76"
FG4505W	450-470 MHz	5dBd Gain	76"
FG4507	450-460 MHz	7dBd Gain	107"
FG4603	460-470 MHz	3dBd Gain	44"
FG4605	460-470 MHz	5dBd Gain	76"
FG4607	460-470 MHz <td 7dBd Gain	107"	

### 700 MHz - 2.4 GHz Models

FG8063	806-866 MHz	3dBd Gain	25"
FG8246	824-896 MHz	6dBd Gain	65"
FG8960	896-940 MHz	Unity Gain	15"
FG8966	896-940 MHz	6dBd Gain	65"
FG9023	902-928 MHz	3dBd Gain	25"
FG9026	902-928 MHz	6dBd Gain	65"
FG9283	928-970 MHz	3dBd Gain	25"
FG9286	928-970 MHz	6dBd Gain	65"
FG24005	2400-2500 MHz	5dBi Gain	14"
FG24008	2400-2500 MHz	8dBi Gain	24"

### 5.8 GHz Models

OD5WM-6	5150-5850 MHz	6dBi Gain	19" N Male
---------	---------------	-----------	------------

### Dual Band Models

FG821/18503	821-896 / 1850-1990 MHz	Unity / 3dBd Gain	14"
FG16397	801-896 / 890-960 / 1850-1990 / 2.4-2.5GHz	MHz	14"

### Omnidirectional Antenna Mounts

FM1	Stainless Steel U-Bolt Mounts (2)
FM2	Heavy Duty Aluminum Mounts (2)

## ALUMINUM OMNIDIRECTIONAL ANTENNAS

### VHF Models

CRS3	33-44 MHz	2dB Gain	168" UHF Female
CRS4	44-50 MHz	2dB Gain	127" UHF Female
VG1502	150-174 MHz	2dBi Gain	102" N Female
VG1506	150-174 MHz	6dBi Gain	102" N Female
CRX150	150-174 MHz	5dBi Gain	116" UHF Female



CRX150B	150-174 MHz	6dBi Gain	162"	UHF Female	Broadband
---------	-------------	-----------	------	------------	-----------

### UHF Models

VG4506	450-512 MHz	6dBi Gain	25"	N Female	
--------	-------------	-----------	-----	----------	--

CRX450B	450-470 MHz	6dBi Gain	648"	UHF Female	Broadband
---------	-------------	-----------	------	------------	-----------

## DIRECTIONAL YAGI ANTENNAS

### VHF Models

Y1503	150-174 MHz	7.1dBd Gain	3 Elements		
-------	-------------	-------------	------------	--	--

Y1505	150-174 MHz	9.2dBd Gain	5 Elements		
-------	-------------	-------------	------------	--	--

### UHF Models

Y4503	450-470 MHz	7.1dBd Gain	3 Elements		
-------	-------------	-------------	------------	--	--

Y4505	450-470 MHz	9.2dBd Gain	5 Elements		
-------	-------------	-------------	------------	--	--

Y4506	450-470 MHz	10.2dBd Gain	6 Elements		
-------	-------------	--------------	------------	--	--

Y45012	450-470 MHz	11dBd Gain	12 Elements		
--------	-------------	------------	-------------	--	--

### 800 MHz Models

Y8063	806-896 MHz	6dBd Gain	3 Elements		
-------	-------------	-----------	------------	--	--

Y8066	806-896 MHz	9dBd Gain	6 Elements		
-------	-------------	-----------	------------	--	--

Y80612	806-896 MHz	11dBd Gain	12 Elements		
--------	-------------	------------	-------------	--	--

YA9-11	860-960 MHz	11dBi Gain	8 Elements		
--------	-------------	------------	------------	--	--

Y8963	896-970 MHz	6dBd Gain	3 Elements		
-------	-------------	-----------	------------	--	--

Y8966	896-970 MHz	9dBd Gain	6 Elements		
-------	-------------	-----------	------------	--	--

Y89612	896-970 MHz	11dBd Gain	12 Elements		
--------	-------------	------------	-------------	--	--

### 2.4 GHz Models

YE24007	2400-2500 MHz	12.7dBi Gain	Enclosed		
---------	---------------	--------------	----------	--	--

YE240015	2400-2500 MHz	15dBi Gain	Enclosed		
----------	---------------	------------	----------	--	--

### Dual Band Models

LP800-2500-9-NF	806-960 / 1710-2500 MHz	9dBi Gain	Enclosed	18" Cable w/N Female	
-----------------	-------------------------	-----------	----------	----------------------	--

## SILVER SERIES DIRECTIONAL YAGI ANTENNAS

### VHF Models

YS1503	150-174 MHz	7.1dBd Gain	3 Elements		
--------	-------------	-------------	------------	--	--

YS1505	150-174 MHz	9.2dBd Gain	5 Elements		
--------	-------------	-------------	------------	--	--

### UHF Models

YS4503	450-470 MHz	7.1dBd Gain	3 Elements		
--------	-------------	-------------	------------	--	--

YS4505	450-470 MHz	9.2dBd Gain	5 Elements		
--------	-------------	-------------	------------	--	--

YS4506	450-470 MHz	10.2dBd Gain	6 Elements		
--------	-------------	--------------	------------	--	--

### 800 MHz Models

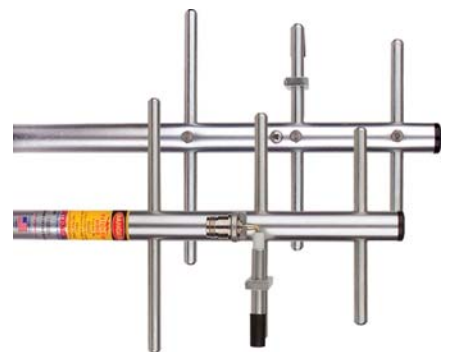
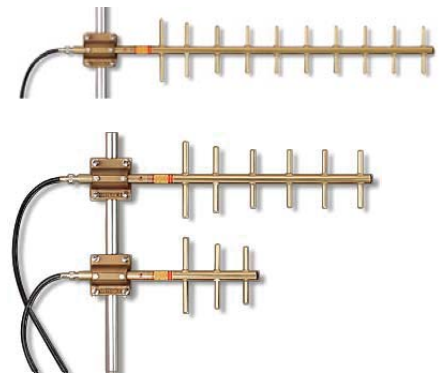
YS7456	745-806 MHz	9dBd Gain	6 Elements		
--------	-------------	-----------	------------	--	--

YS8063	806-896 MHz	6dBd Gain	3 Elements		
--------	-------------	-----------	------------	--	--

YS8066	806-896 MHz	9dBd Gain	6 Elements		
--------	-------------	-----------	------------	--	--

YS8963	896-970 MHz	6dBd Gain	3 Elements		
--------	-------------	-----------	------------	--	--

YS8966	896-970 MHz	9dBd Gain	6 Elements		
--------	-------------	-----------	------------	--	--



YM78HD

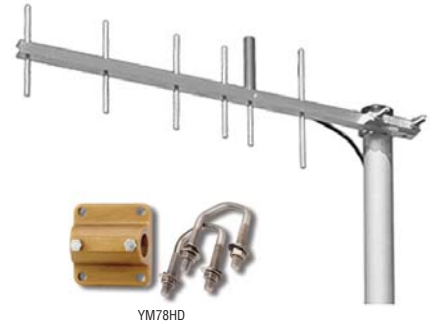
## WELDED PC SERIES YAGI ANTENNAS

### 700 MHz - 2.4 GHz Models

PC906N	896-940 MHz	8.5dBd Gain	6 Elements
PC8910N	896-940 MHz	11dBd Gain	10 Elements
PC9013N	902-928 MHz	13dBd Gain	13 Elements
PC2415N	2400-2500 MHz	13.9dBd Gain	15 Elements

## YAGI ANTENNA MOUNTS & ACCESSORIES

YM78HD	Heavy Duty Cast Mounting Kit for 7/8" Boom Yagi Antennas
YPD9152N	902-928 MHz Dual Yagi Stacking Harness 3 N Male



YM78HD

## DIPOLE ARRAY ANTENNAS

### VHF Models

YDA1504	150-174 MHz	6dBd Gain	4 Dipole Bays
---------	-------------	-----------	---------------

### UHF Models

YDA4504	450-470 MHz	6dBd Gain	4 Dipole Bays
---------	-------------	-----------	---------------

## INFRASTRUCTURE/IBW ANTENNAS

MIA8063ST	806-869 MHz	Indoor Omni	3 dBi	12" Cable w/N Female
CMD69273-30NF	698-2.7 GHz	Indoor Omni	3 dBi	Dual 12" Cable w/N Females
CMS69273-30NF	698-2.7 GHz	Indoor Omni	3 dBi	12" Cable w/N Female
R2T24W-15-MMCX	2.3-2.7 GHz	Outdoor Directional	15 dBi	8" Cable w/MMCX
SL69273PT36NM	3 Port Omni Ceiling Mount	698-2700 MHz	N Male	
IN24-65-8	2.4-2.5GHz	Indoor Directional	8dBi	8" Cable w/N Female
S245112PT36RSM	2.4/5.8GHz	Dual Band MIMO Directional Antenna		
S24517PT36RSM	2.4/5.8GHz	Dual Band MIMO Directional Antenna		
PA9-12	902-928 MHz	Outdoor Directional Panel	12 dBi	N Female
PA24-19	2.4-2.5 GHz	Outdoor Directional Panel	19 dBi	N Female
PA58-24	5.1-5.8 GHz	Outdoor Directional Panel	24 dBi	N Female
GD24-24P-NF-EZ	2.4-2.5 GHz	Grid	24 dBi	24" Cable w/N Female
GD5W-25P-NF	4.9-5.8 GHz	Grid	25 dBi	30" Cable w/N Female
GD5W-28P-NF	4.9-5.8 GHz	Grid	28 dBi	30" Cable w/N Female
GD58-29	5.7-5.8 GHz	Grid	29 dBi	N Female
GD9-15-NF	900-928 MHz	Grid	15 dBi	30" Cable w/N Female
DA5-29RADOME	Radome for DA58-29 and HDDA5W-29			
DA58-32**	5.7-5.8 GHz	Dish	32 dBi	N Female
DA5-32RADOME	Radome for DA58-29 and HDDA5W-29			
HDDA3W-29-DP	3.8-3.8 GHz	Dish	29 dBi	N Female Dual Polarity
HDDA5W-29-SP	4.9-5.8 GHz	Dish	29 dBi	N Female Single Polarity
HDDA5W-29-DP2	4.9-5.8 GHz	Dish	29 dBi	N Female Dual Polarity
HDDA5W-32-DP2	4.9-5.8 GHz	Dish	32 dBi	N Female Dual Polarity
OD9-6	900 MHz	Base Omni	6 dBi	18" Cable w/N Female
ODH9-9	900 MHz	Base Omni	9 dBi	18" Cable w/N Female HORIZ
OD24-9	2.4-2.5 GHz	Base Omni	9 dBi	N Female
OD24-12P	2.4-2.5 GHz	Base Omni	12 dBi	24" Cable w/N Female
SA24-120-16-WB	2.3-2.7 GHz	Vert Polarized Sector Antenna	16 dBi	N Female
S4906WBFNM	4.9-5.9 GHz	Base Omni	6 dBi	N Male



MIA8063ST



IN24\_



PA24-19



GD58-29



GD24-24P-NF-EZ



GD5W-25P



OD24-9



SA24-120-16-WB

## MOUNTS & ACCESSORIES

FMW4	4" Standoff Wall Mount For Up To 2-1/4" Mast
UM	Universal Mount 1.5" Powder Coated Galvanized Steel 90° Tilt 16"
UML	Universal Mount 1.5" Powder Coated Galvanized Steel 90° Tilt 25"
UM-UB	U Bolt Kit - Mounts UM/UML Mounts To 2" Pole
WMB8	Wall Mount Bracket 1.25" Pipe 8" Standoff
RJ45-ECS	Waterproof RJ45 Ethernet Connector w/12" Pigtail
DCE-7X6X2	Die Cast Aluminum Enclosure w/4 Knockouts/Standoffs 7"x6"x2"
ESP-100-POE	7.5V/70V Clamp Voltage Surge Suppressor w/RJ45
IASFST	36' Roll MOCAP Self Fusing Silicone Install Tape
SP3-90-6-BFF	DC - 3GHz Bulkhead Protector w/N-Female Connectors
LABH2400NN	DC - 4GHz Bulkhead Lightning Arrestor w/N-Female Connectors



### NCG COMPANY

#### CYA2414

**2400-2500MHz 12 Element Yagi Enclosed Radome** – 20dBi Gain, 50 Ohm Impedance, 1.3:1 or less VSWR, 100 Watt Max Power, L:30", N-Female Connector, 100 MPH Max Wind Survival.

#### X2427

**2.4GHz High Gain Directional Antenna** – 21dBi Gain, 50 Ohm Impedance, 1.5:1 or less VSWR, 100 Watt Max Power, L: 60", N-Female Connector, 90 MPH Max Wind Survival.

#### GP24

**2.4GHz Omnidirectional Base Antenna** – 12dBi Gain, 50 Ohm Impedance, 1.3:1 or less VSWR, 100W Max Power, H: 5'10", Integrated N-Female Connector, 135 MPH Wind Survival.

#### GP24S

**2.4GHz Omnidirectional Base Antenna** – 9.9dBi Gain, 50 Ohm Impedance, 1.3:1 or less VSWR, 100W Max Power, H: 3'9", Integrated N-Female Connector, 150 MPH Wind Survival.

### Birds "Industry Standard" Wattmeter

- Accurate CW measurement from 450 kHz to 2.7 GHz and 100 mW to 10 KW
- Rugged metal housing with gray powder coat finish
- Power Range: 100 mW to 10 kW using Bird® Plug-in Elements
- Frequency Range 450 kHz - 2.7 GHz (depending on element)
- 43N Accuracy: ± 5% of full scale
- 43P Accuracy: CW Mode: ± 5% full scale, Peak mode: ± 8% full scale
- Connectors: Quick Change Type (Female N normally supplied)



#### 43N General Purpose Wattmeter

#### 43P General Purpose Wattmeter - Peak Power Version

#### 4240062 QC N Female Connector

#### 4240063 QC N Male Connector

#### ELEMENTS Available In The Following Frequencies & Wattages CALL FOR PRICING

- 2-30 MHz • 25-60 MHz • 50-125 MHz • 100-250 MHz • 200-500 MHz • 400-1000 MHz
- 5 Watts • 10 Watts • 25 Watts • 50 Watts • 100 Watts • 250 Watts • 500 Watts • 1000 Watts

### 144MHz FM Transceiver

## KENWOOD

#### TM281A 144MHz FM Transceiver

##### General Features

- Rugged construction
- High power 65W output
- Weather alert
- Large front speaker
- Vivid amber LCD display
- 32-step brightness control
- Illuminated keypad
- 200 memory channels, plus one call channel
- Memory name function
- 6 alphanumeric characters offers 100 memory channels
- Multiple scan functions
- CTCSS & DCS Encoder/Decoder
- U.S. MIL-STD 810 C/D/E/F/G

